

SPLIT-CORE CURRENT TRANSFORMER

JC16F-333mV series



JC series of split-core current transformer offers 333mV at secondary from sensed primary current. Without using secondary CT inside of meter, users directly connect JC series to meter for high accuracy metering application. It enables one meter to be adopted for various current rating by only changing primary CT so it makes compact meter design and reduces developing cost. Also, over-voltage protection circuit is included to offer safe, fast and cost effective installation.

APPLICATIONS

- ☑ Energy sub - meter
- ☑ Power meters
- ☑ Power quality monitoring
- ☑ HVAC&Pumps, etc
- ☑ Distributed measurement system

BENEFITS

- ☑ Small-size, light-weight
- ☑ Simple Installation
- ☑ Over-Voltage protection circuit is installed.

FEATURES

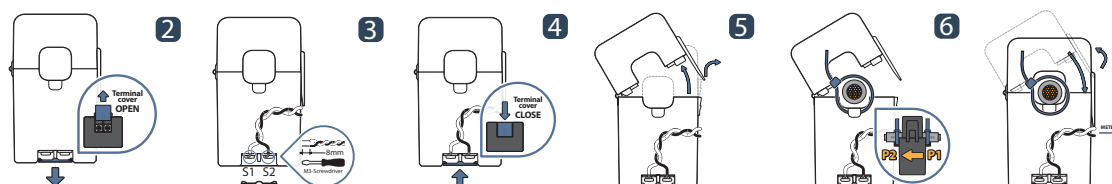
- ☑ High accuracy : 1% from 10% to 120% of rated current
- ☑ Nylon-spring, output-terminal, secure locking hinge, one-touch structure makes easy to install to the existent equipments such as a power distribution boards.
- ☑ Isolated plastic case recognized according to UL94-V0
 - UL / EN 61010-1 certified



NOTICE

- ☑ If you impact the core contact surface, internal core material could be damaged. (Ø 10, Ø 16, Ø 24 type)
- ☑ Core contact surface is waterproofed, however if it gets rusty, you could reuse after removing rusts with spraying WD-40 or CRC5-56 on the rusted side. (Ø 36 type)
- ☑ Do not use any other chemicals except WD-40 or CRC5-56 on housing or any other parts.
- ☑ Please use only the original output screws. Not recommended to replace it with anything else.
- ☑ Customizing output lead wire

HOW TO USE 1



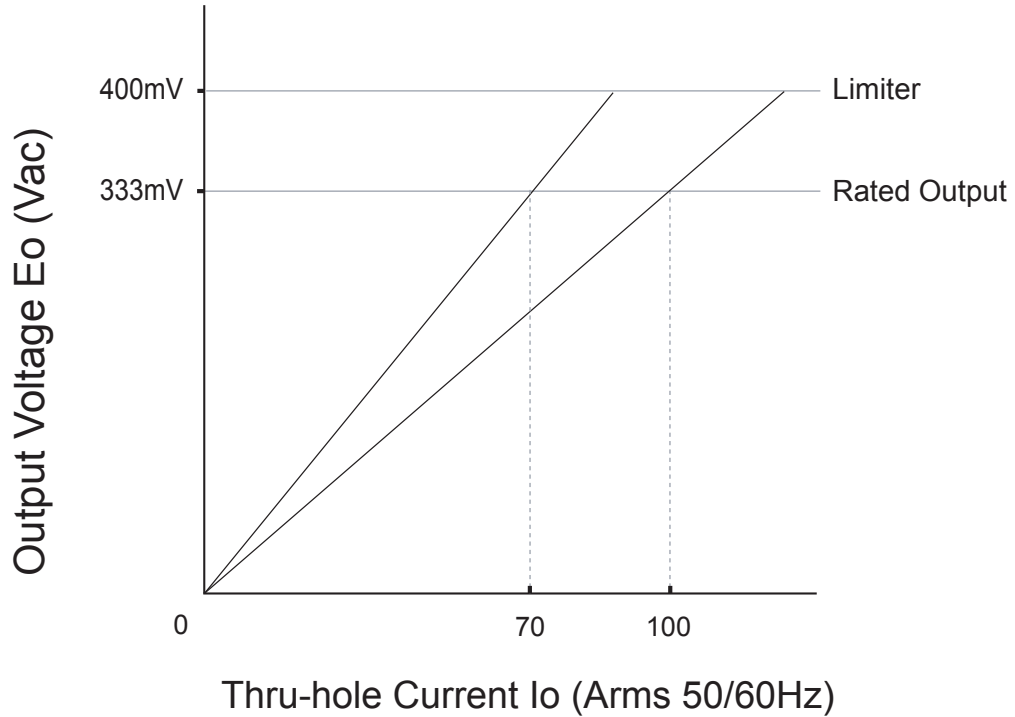
SPECIFICATION

(F=50/60Hz)

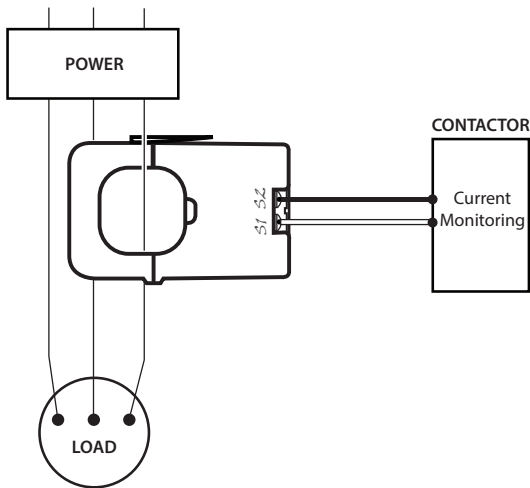
Model	JC16F-333(xxx) Ø 16
Amperage Range	70, 100
Output Voltage	333mV
Nominal Phase Angle Error	+1.0 ± 1°
Nominal Linearity Error	-1 ± 1%
Protection Level	2.2V0-P
Insulation Category	CAT III
Operating Condition	-20°C~+50°C, ≤85%RH, No condensation, In-house & Any direction installable
Storage Condition	-30°C~+90°C, ≤85%RH, No condensation

OUTPUT VOLTAGE DATA

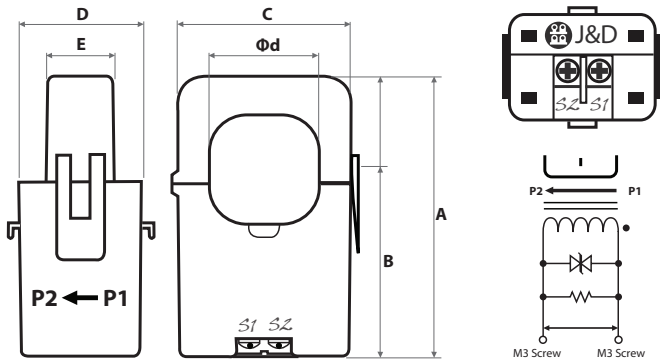
JC16F-333



APPLICATI



DIMENSIONS



Unit : mm

Model	A	B	C	D	E	Ød
JC16F-333	55	41	29.5	31	19	16

CAUTION: DANGER

HAZARD OF ELECTRIC SHOCK, EXPLOSION, OR ARC FLASH

- In order to guarantee safe operation of the transformer, please read and understand the instructions thoroughly. For your reference, see NFPA 70E in the USA, or applicable local codes.
- This equipment must only be installed and put into operation by qualified electrical personnel or appropriately trained individual.
- Before servicing the CTs, turn off all sources of power and use a properly rated voltage sensing device to check if the power is off.
- Current transformer secondary must be shorted or connected to a burden all times.
- The transformer (split core type) must not be operated when it is not fully closed or the installation is not completed.
- Rearrange all covers and protective devices before powering the equipment.

NOTICE

- This product is not intentionally made for safety applications.
- Make sure not to install this transformer in hazardous or classified areas.
- The installer is responsible for conformance to all applicable codes.
- Ignoring the warnings can lead to serious injury and/or cause damages.
- A qualified person is the one who is skilled and has knowledge about the construction and operation of this electrical equipment, and has received safety training to recognize and avoid the hazards involved. (NEC2011 Article 100)
- If this product is used in a way not specified by the manufacturer, the protection offered by the product may be impaired. No responsibility is taken by J&D Electronics for any consequences arising by not following this material properly